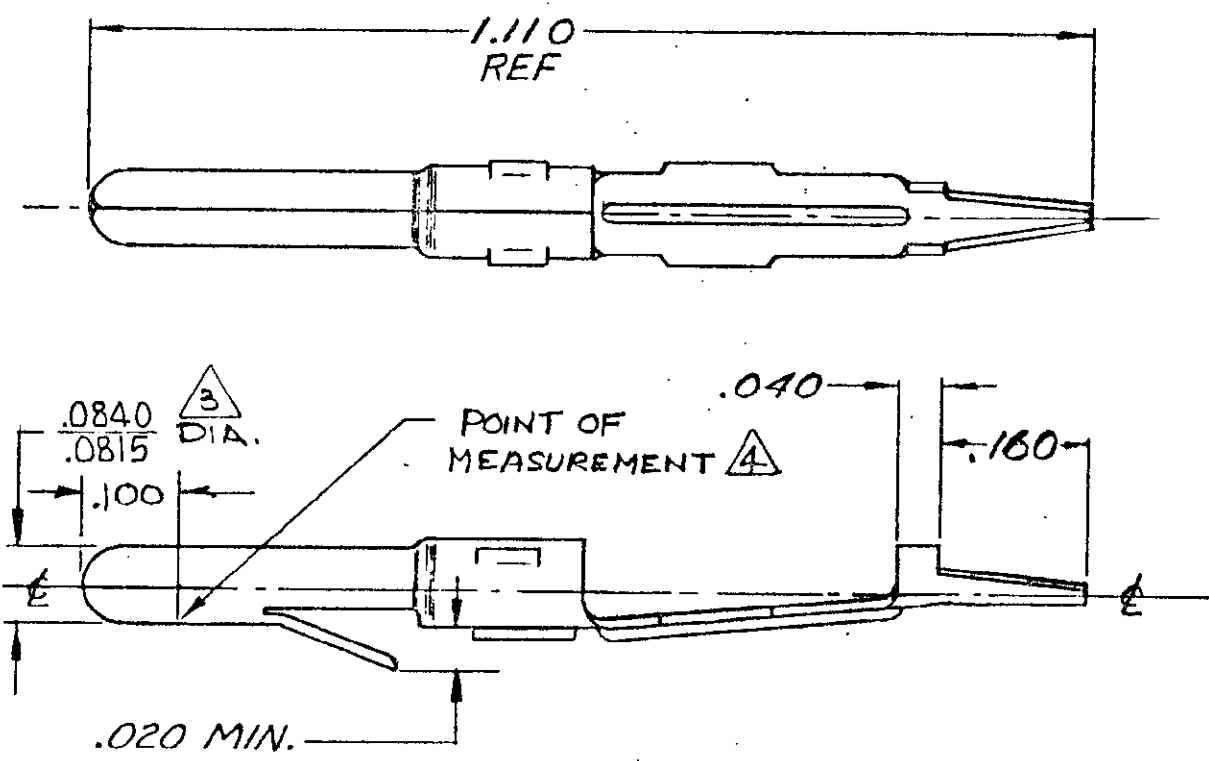


SHEET 1 OF 2
 NUMBER
 61518



1. TERMINAL SUPPLIED IN INDIVIDUAL FORM, NOT AS CONTINUOUS STRIP.
 2. PARTS COMPLY WITH AMP SOLDERABILITY SPEC 109-11-3
- △3 .0815/.0845 DIA OVER .200 MIN. LENGTH.
 △4 .000030 GOLD OVER .000050 NICKEL.

PART NO.	MATERIAL & FINISH
61518-1	.012 PHOS. BRZ PRE-TIN

DIMENSIONS IN INCHES. DO NOT SCALE PRINT.

©1969 BY AMP INCORPORATED, ALL RIGHTS RESERVED. AMP PRODUCTS COVERED BY PATENTS AND/OR PATENTS PENDING.

CUSTOMER COPY
REFERENCE ONLY

MATERIAL AND FINISH
SEE TABLE



AMP INCORPORATED
HARRISBURG, PENNA.

CLASS

R	REV PER EC 0730-0142-94	RV	RS	3/15/69
TR	REVISION RECORD	ECN	CR	DATE

WIRE — RANGE — INSULATION TYPE
—H— —H—

TOLERANCE EXCEPT AS NOTED ± .015 ± 1° 0'

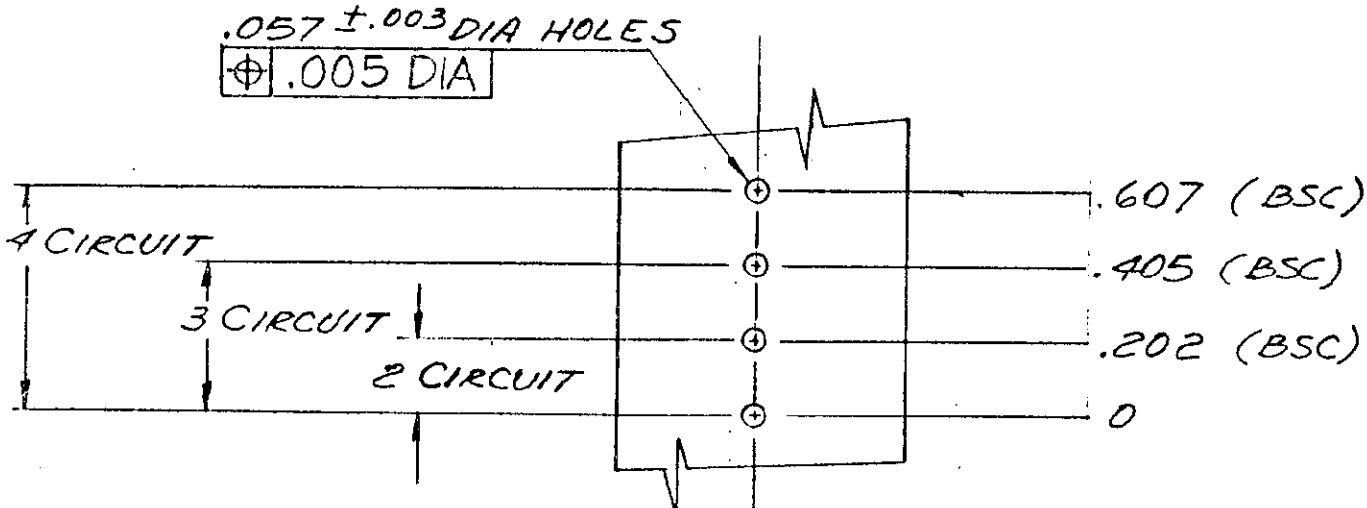
SCALE **5X**

NO **SHEET 1 OF 2**

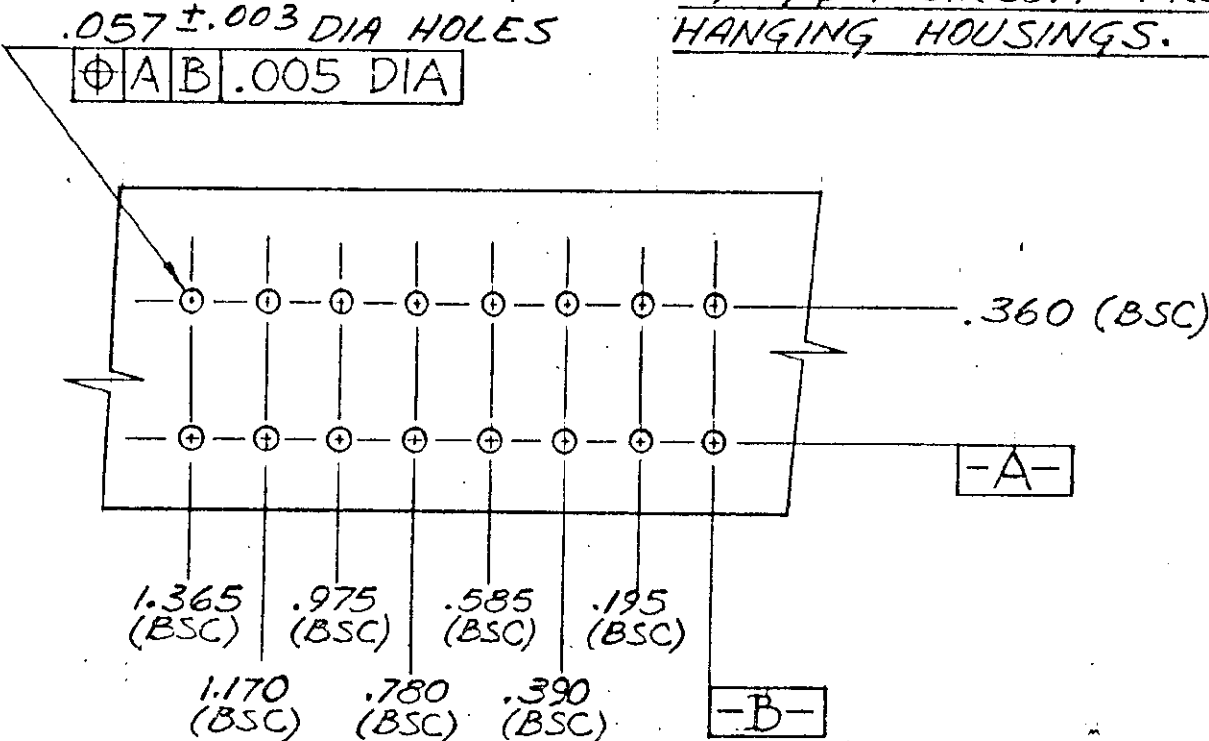
DR **JIM KUNKLE** DE
 CHK **Jim Kunkle** APP **Jim Kunkle**

NAME **MATE-N-LOK PIN WITH P.C. BOARD TAB**

SHEET 2 OF 2
6/5/8



P.C. BOARD LAYOUT FOR 2, 3, & 4 CIRCUIT FREE-HANGING HOUSINGS.



P.C. BOARD LAYOUT FOR 6, 8, 10, 12, & 16 CIRCUIT MOTOR MOUNT HOUSINGS.

DIMENSIONS IN INCHES. DO NOT SCALE PRINT.

PRINTED BY 53

©1970 BY AMP INCORPORATED. ALL RIGHTS RESERVED. AMP PRODUCTS COVERED BY PATENTS AND/OR PATENTS PENDING

CUSTOMER COPY REFERENCE ONLY



AMP INCORPORATED
HARRISBURG, PENNA.

WIRE — RANGE — INSULATION TYPE

SEE SHEET 1

TOLE RANCE EXCEPT SCALE LOC NO SHEET 2 OF 2 INCH
± .015 ± 1.0' C-1 CH 61510 IR

DR JIM KUNKLE DE

NAME RECOMMENDED HOLE LOCATIONS FOR MOUNTING MATE-N-LOK HOUSINGS

CHK Humbler 6-9-70 APP Humbler 6-9-70